



**Electrolux**  
PROFESSIONAL

**Modular Cooking Range Line  
thermaline 85 - 700 mm Open  
base, GN conform, 1 Side**

ITEM # \_\_\_\_\_

MODEL # \_\_\_\_\_

NAME # \_\_\_\_\_

SIS # \_\_\_\_\_

AIA # \_\_\_\_\_



**588679 (MBINCAGOOO)**      Open Base, one-side operated, GN

**Short Form Specification**

**Item No.** \_\_\_\_\_

700 mm wide open base compartment to store pots, pans, sheet pans, etc. with hygienic design and round edges. Unit constructed according to DIN 18860\_2 with 70 mm recessed plinth. Internal frame for heavy duty sturdiness in stainless steel. Flat surface construction, easily cleanable. Open storage space in the base accepts GN 1/1 containers. IPX5 water resistant certification.

Configuration: Freestanding, one side operated.

**Main Features**

- All major components may be easily accessed from the front.
- THERMODUL connection system creates a seamless work top when units are connected to each other thus avoiding soil penetrating vital components and facilitating the removal of units in case of replacement or service.
- IPX5 water resistance certification.
- Unit constructed according to DIN 18860\_2 with 70 mm recessed plinth.

**Construction**

- Storage space in the base of the appliance that can accept GN1/1 containers.
- 2 mm top in 1.4301 (AISI 304).
- Flat surface construction with minimal hidden areas to easily clean all surfaces
- Rounded corners and edges aid cleaning.
- Internal frame for heavy duty sturdiness in stainless steel.

**Optional Accessories**

- Stainless steel front kicking strip, 700mm width      PNC 912633
- Stainless steel side kicking strip left and right, wall mounted, 850mm width      PNC 912659
- Stainless steel side kicking strip left and right, back-to-back, 1700mm width      PNC 912662
- Stainless steel side panel, 850x700mm, right side, against wall      PNC 913003
- Stainless steel side panel, 850x700mm, left side, against wall      PNC 913004
- Perforated shelf for warming cabinets and cupboard bases (one-side operated TL80-85-90 and two-side operated for TL80)      PNC 913234
- Side reinforced panel only in combination with side shelf, for against the wall installations, right      PNC 913261
- Side reinforced panel only in combination with side shelf, for against the wall installations, left      PNC 913262
- Shelf fixation for TL80-85-90 one-side operated, TL80 two-side operated      PNC 913281
- Stainless steel dividing panel, 850x700mm, (it should only be used between Electrolux Professional thermaline Modular 85 and thermaline C85)      PNC 913670

**APPROVAL:** \_\_\_\_\_



Experience the Excellence  
[www.electroluxprofessional.com](http://www.electroluxprofessional.com)



**Electrolux**  
PROFESSIONAL

**Modular Cooking Range Line  
thermaline 85 - 700 mm Open  
base, GN conform, 1 Side**

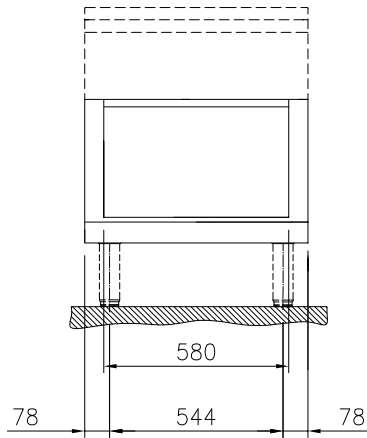
- Stainless steel side panel, 850x700mm, PNC 913686   
flush-fitting (it should only be used  
against the wall, against a niche and in  
between Electrolux Professional  
thermaline and ProThermetic  
appliances and external appliances -  
provided that these have at least the  
same dimensions)

**Modular Cooking Range Line  
thermaline 85 - 700 mm Open base, GN conform, 1 Side**

The company reserves the right to make modifications to the products  
without prior notice. All information correct at time of printing.

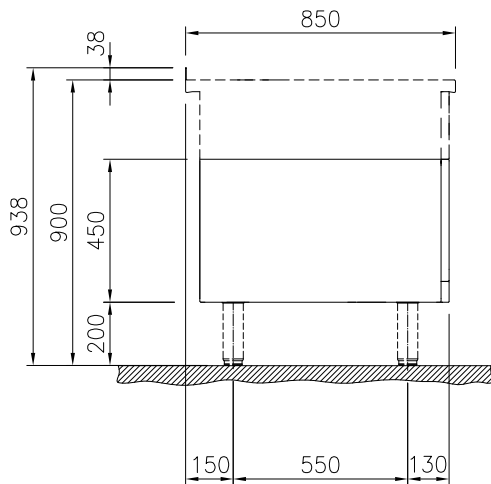
2024.05.15

Front


**Key Information:**

<b>External dimensions, Width:</b>	
588679 (MB1NCAG000)	700 mm
<b>External dimensions, Depth:</b>	850 mm
<b>External dimensions, Height:</b>	450 mm
<b>Net weight:</b>	ISO 9001; ISO 14001 kg

Side



Top

